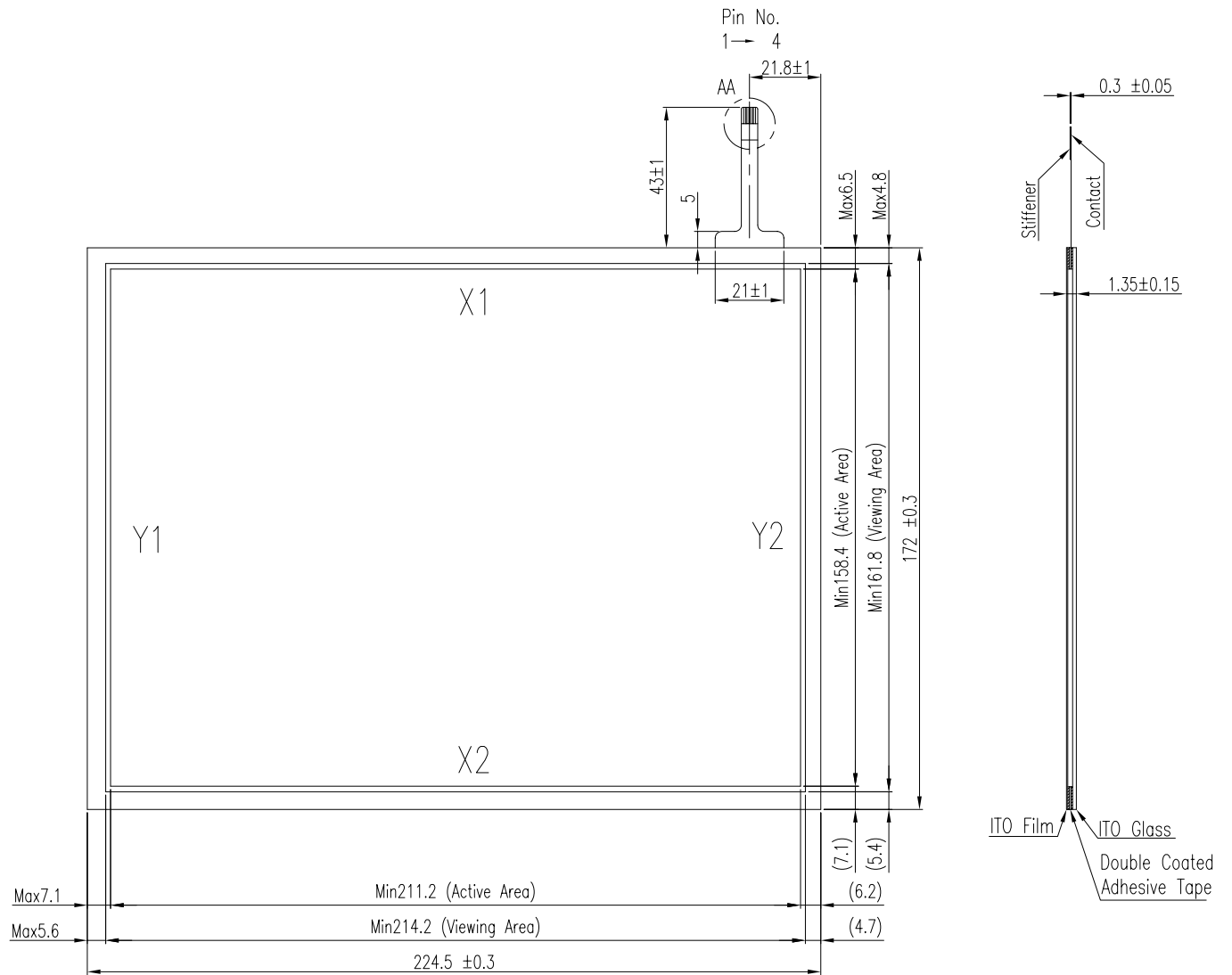
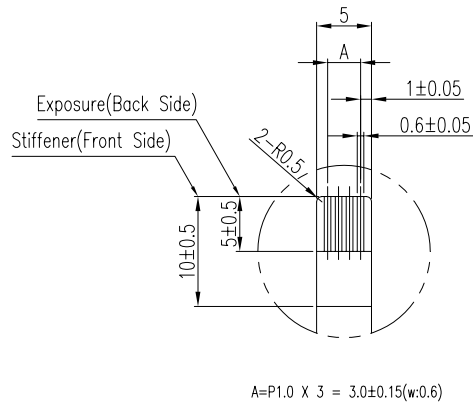


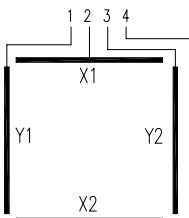
REMARK

1. Glass THK : 1.1mm
2. Film Type : Clear Type
3. Total THK : 1.35 ±0.15
4. Linearity : ±1.5% or less
5. Transmittance : 80% or more
6. Resistance : 200 < Glass(X) < 900ohm
200 < Film(Y) < 900ohm
7. Connector : FPC

Detail AA (Scale=3/1)



Circuit Diagram



Signal Assignment

Pin No.	Signal
1	Y1
2	X1
3	Y2
4	X2

DESIGD.	D. I. KWAK	DARW.NO.	A104-1D-00
CHEKD.		MODEL	A104-1D
APPRD.	K.D. KO		
DATE	2003. 05. 09		
DIM	SIZE	STD.TOL.	SCALE
REV.	DATE	±0.2	1 : 1

D00	03. 05. 09	FPC Length (37mm => 43mm)
REV.	DATE	REVISION DESCRIPTIONS

